

140mm sq.

San Ace 140L

38mm thick
51mm thick(LB type)



General Specifications With a pulse sensor

- Material Frame: Aluminum, Impeller:Plastics (Flammability: UL94V-1)
- Life Expectancy Varies for each model(L10:Survival rate: 90% at 60°C ,
rated voltage,and continuously run in a free air state)
- Lead Wire ⊕red ⊖black or blue (Sensor) yellow
- Storage Temperature -30°C to +70°C (Non-condensing)

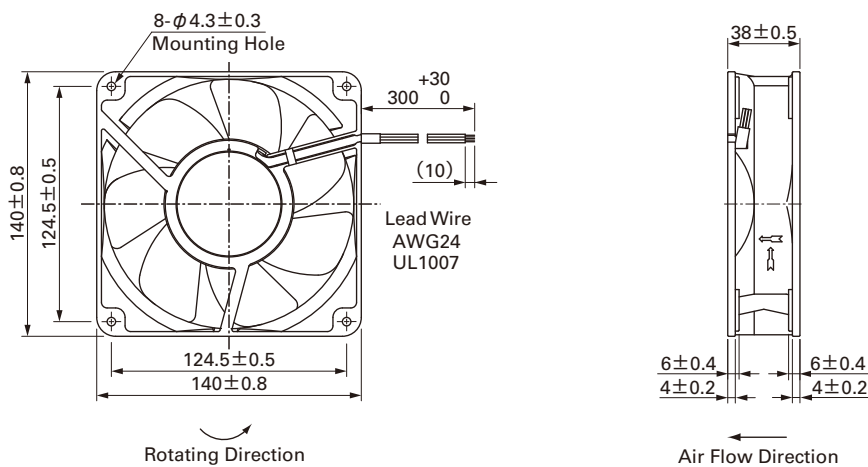
140×140×38mm (Mass : 600g)

Specifications

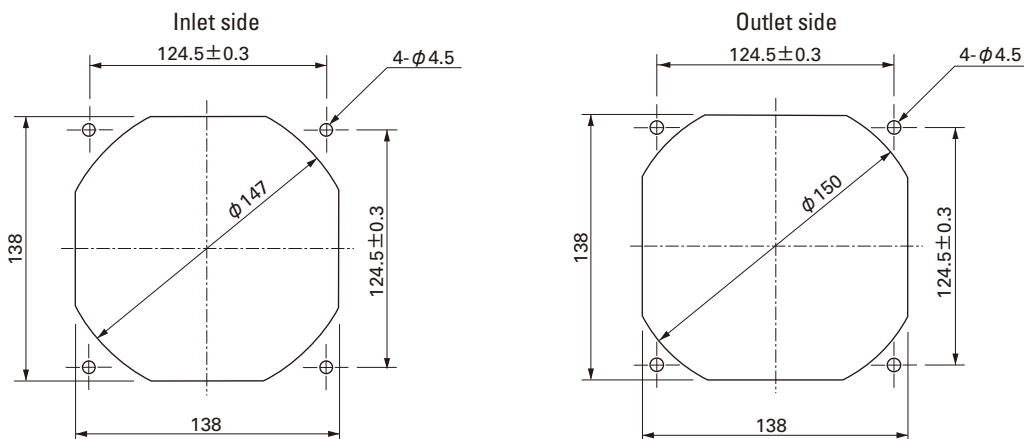
Model No.	Rated Voltage [V]	Operating Voltage Range [V]	Rated Current [A]	Rated Input [W]	Rated Speed [min ⁻¹]	Air Flow [m ³ /min] [CFM]	Static Pressure [Pa] [inchH ₂ O]	SPL [dB(A)]	Operating Temperature [°C]	Life Expectancy [h]
109L1412H101	12	10.2 to 13.8	0.73	8.76	2,600	4.5 159	98 0.394	46	- 10 to + 70	100,000
109L1412M101			0.3	3.6	1,900	3.3 117	52 0.209	38		
109L1424H101	24	20.4 to 27.6	0.37	8.88	2,600	4.5 159	98 0.394	46		
109L1424M101			0.16	3.84	1,900	3.3 117	52 0.209	38		
109L1448H101	48	40.8 to 55.2	0.2	9.6	2,600	4.5 159	98 0.394	46		
109L1448M101			0.09	4.32	1,900	3.3 117	52 0.209	38		

Without Sensor **Pulse Sensor** Available in all models. **Lock Sensor** **Low speed Sensor** Please inquire as the availability of these functions depend on the model.

Dimensions (Unit : mm)



Reference dimension of mounting holes and vent opening (Unit : mm)

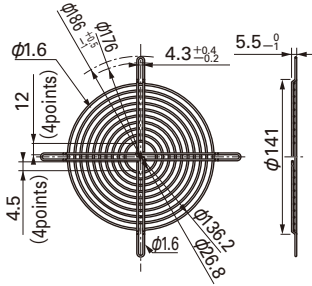


Options (Unit : mm)

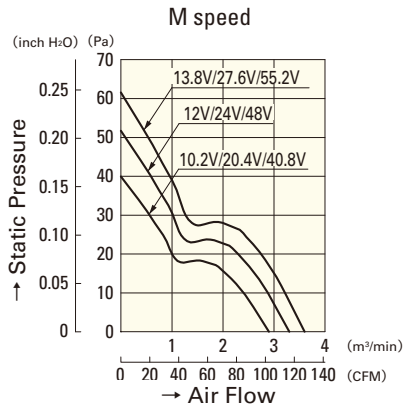
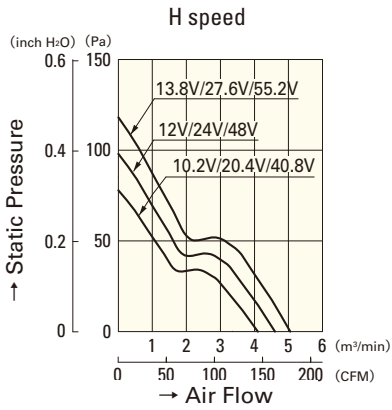
Finger guards

Color
 Model : 109-719 Surface treatment : Nickel-chrome plating (silver)
 : 109-719H : Cation electropainting (black)

Inlet side, Outlet side



Air Flow and Static Pressure Characteristics



109L1412H101

109L1424H101

109L1448H101

109L1412M101

109L1424M101

109L1448M101