

Splash Proof Fan

80mm sq.

San Ace 80W

25mm thick
 25mm thick(WP type)
 25mm thick(WS type)



General Specifications With a pulse sensor

- Material Frame: Plastics (Flammability: UL94V-0),
 Impeller: Plastics (Flammability: UL94V-1)
- Life Expectancy Varies for each model(L10:Survival rate: 90% at 60°C ,
 rated voltage,and continuously run in a free air state)
- Lead Wire ⊕red ⊖black Sensor yellow
- Storage Temperature -30°C to +70°C (Non-condensing)

80×80×25mm

(Mass : 130g)

IP 55 Dust resistant device with protection against water jets

WP type

Specifications The numbers in () represent ribless models.

Model No.	Rated Voltage [V]	Operating Voltage Range [V]	Rated Current [A]	Rated Input [W]	Rated Speed [min ⁻¹]	Air Flow [m ³ /min] [CFM]		Static Pressure [Pa] [inchH ₂ O]		SPL [dB(A)]	Operating Temperature [°C]	Life Expectancy [h]
9WP0812H401(4011)	12	10.2 to 13.8	0.13	1.56	2,900	1.03	36.4	35.3	0.142	29	- 10 to + 70	60,000
9WP0824H401(4011)	24	20.4 to 27.6	0.07	1.68	2,900	1.03	36.4	35.3	0.142	29		40,000
9WP0848S401(4011)	48	40.8 to 55.2	0.06	2.88	3,400	1.20	42.4	48.0	0.193	34		

Without Sensor

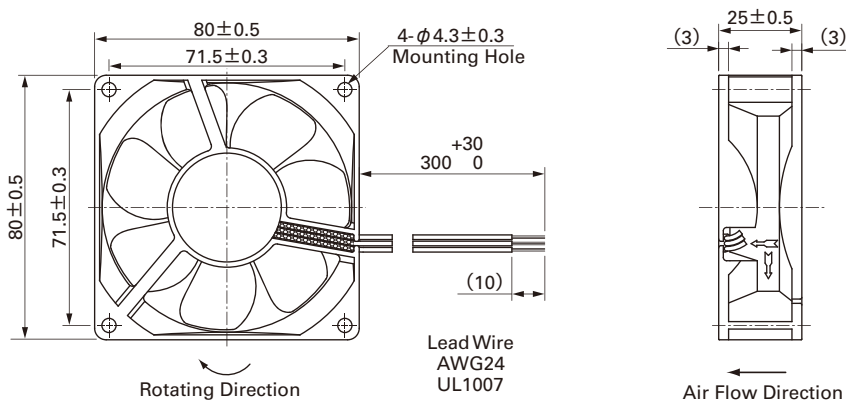
Pulse Sensor

Available in all models.

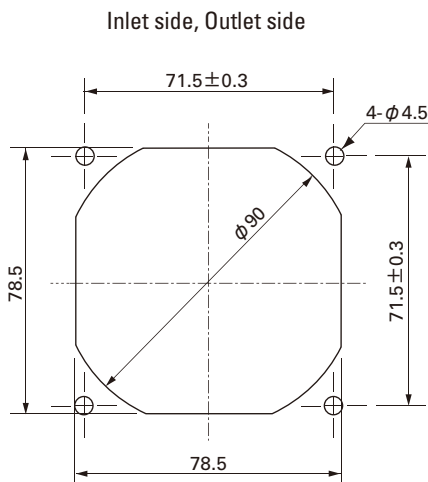
Lock Sensor

Please inquire as the availability of these functions depend on the model.

Dimensions (Unit : mm) (With ribs)



Reference dimension of mounting holes and vent opening (Unit : mm)

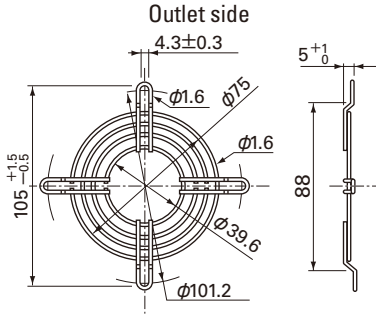


Options (Unit : mm)

Finger guards

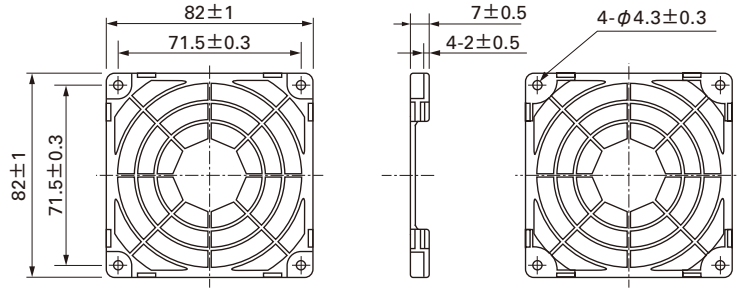
Model : 109-049C Surface treatment : Nickel-chrome plating (silver) Color

Color



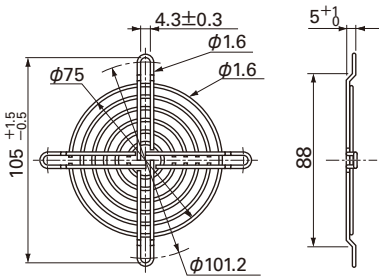
Resin Finger guards

Model : 109-1002G

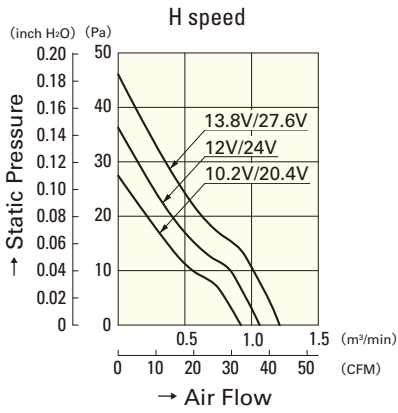


Model : 109-049E Surface treatment : Nickel-chrome plating (silver) Color
: 109-049H : Cation electropainting (black)

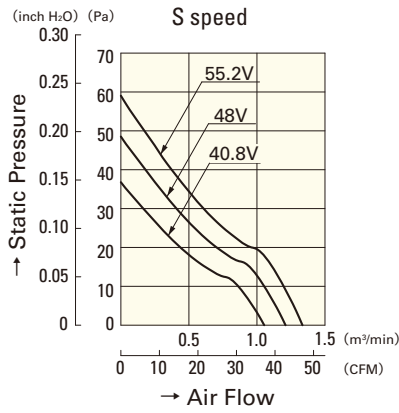
Inlet side, Outlet side



Air Flow and Static Pressure Characteristics



9WP0812H401(4011)
9WP0824H401(4011)



9WP0848S401(4011)