

80mm sq.

San Ace 80

15mm thick, 20mm thick, 25mm thick
 25mm thick (San Cooler), 32mm thick
 38mm thick (GV type), 38mm thick (G type)



General Specifications With a pulse sensor

- Material Frame: Plastics (Flammability: UL94V-0),
 Impeller: Plastics (Flammability: UL94V-1)
- Life Expectancy Varies for each model (L10: Survival rate: 90% at 60°C, rated voltage, and continuously run in a free air state)
- Lead Wire ⊕red ⊖black or blue (Sensor) yellow
- Storage Temperature -30°C to +70°C (Non-condensing)

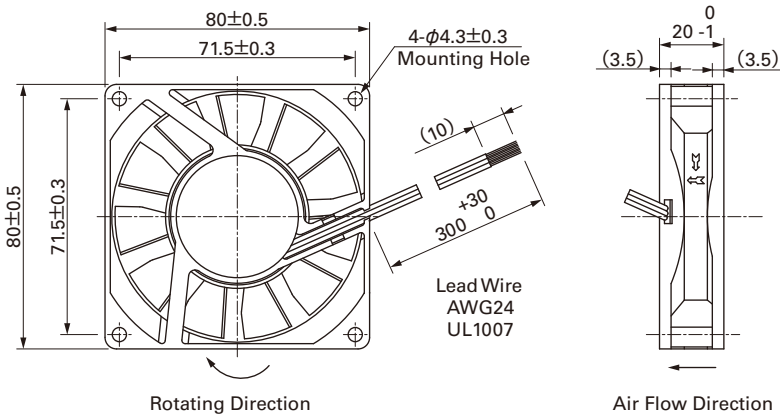
80×80×20mm [Mass : 100g]

Specifications

Model No.	Rated Voltage [V]	Operating Voltage Range [V]	Rated Current [A]	Rated Input [W]	Rated Speed [min ⁻¹]	Air Flow [m ³ /min] [CFM]		Static Pressure [Pa] [inchH ₂ O]		SPL [dB(A)]	Operating Temperature [°C]	Life Expectancy [h]
109P0812C601	12	10.2 to 13.8	0.29	3.48	3,700	1.07	37.8	46	0.185	39	-10 to +60	60,000
109P0812H601			0.21	2.52	2,900	0.84	29.7	29.4	0.118	31		
109P0812M601			0.13	1.56	2,300	0.67	23.7	18.6	0.075	25		
109P0824H601	24	20.4 to 27.6	0.12	2.88	2,900	0.84	29.7	29.4	0.118	31	-10 to +70	60,000
109P0824M601			0.07	1.68	2,300	0.67	23.7	18.6	0.075	25		
109P0848C601	48	38 to 57.6	0.08	3.84	3,700	1.07	37.8	46	0.185	39	-10 to +70	40,000
109P0848H601			0.05	2.4	2,900	0.84	29.7	29.4	0.118	31		

Without Sensor **Pulse Sensor** Available in all models. **Lock Sensor** Please inquire as the availability of these functions depend on the model.

Dimensions (Unit : mm)



Reference dimension of mounting holes and vent opening (Unit : mm)

